

**Honeywell**

Honeywell Sensing and Productivity Solutions

### 12TW8-70E

Part Number: 12TW8-70E  
 Manufacturer/Brand: Honeywell Sensing and Productivity Solutions  
 Product description: SWITCH TOGGLE DPDT 5A 125V  
 Datasheets: [1.12TW8-70E.pdf](#)  
[2.12TW8-70E.pdf](#)  
 RoHS Status: Lead free / RoHS Compliant  
 Stock Condition: 595 pcs stock  
 Ship From: Hong Kong  
 Shipment Way: DHL/Fedex/TNT/UPS/EMS

**Productivity Solutions**

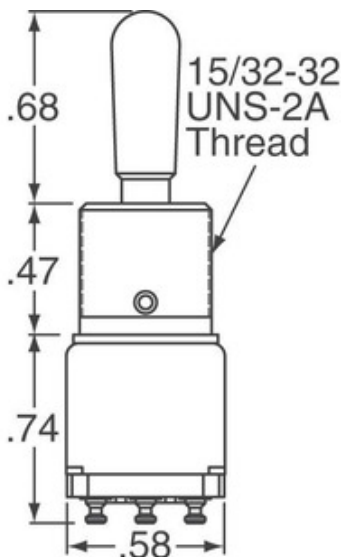


Image may be representation. See specifications for product details.

**REQUEST FOR QUOTATION**

#### Specifications of 12TW8-70E

PART NUMBER	12TW8-70E
MANUFACTURER	Honeywell Sensing and Productivity Solutions
DESCRIPTION	SWITCH TOGGLE DPDT 5A 125V
LEAD FREE STATUS / ROHS STATUS	Lead free / RoHS Compliant
QUANTITY AVAILABLE	595 pcs
DATA SHEET	<a href="#">1.12TW8-70E.pdf</a> <a href="#">2.12TW8-70E.pdf</a>
VOLTAGE RATING - AC	125V
TERMINATION STYLE	Solder Turret
SWITCH FUNCTION	Mom-On-Mom
SERIES	TW
PANEL CUTOUT DIMENSIONS	Circular - 12.40mm Dia
PACKAGING	Bulk
OPERATING TEMPERATURE	-65°C ~ 71°C
MOUNTING TYPE	Panel Mount
MOISTURE SENSITIVITY LEVEL (MSL)	1 (Unlimited)
LEAD FREE STATUS / ROHS STATUS	Lead free / RoHS Compliant
INGRESS PROTECTION	Environment Proof
ILLUMINATION VOLTAGE (NOMINAL)	-
ILLUMINATION TYPE, COLOR	-
ILLUMINATION	Non-Illuminated
FEATURES	-
ELECTRICAL LIFE	-
DETAILED DESCRIPTION	Toggle Switch DPDT Panel Mount
CURRENT RATING	5A (AC)
CIRCUIT	DPDT
BUSHING THREAD	15/32-32
ACTUATOR TYPE	Locking Lever
ACTUATOR MATERIAL	-
ACTUATOR LENGTH	29.46mm

#### Related Tags

Honeywell Sensing and Productivity Solutions 12TW8-70E	12TW8-70E Distributor	12TW8-70E Supplier
12TW8-70E Price	12TW8-70E Pictures	12TW8-70E Image
12TW8-70E PDF Datasheet	12TW8-70E Download Datasheet	12TW8-70E Datasheet
12TW8-70E Stock	Buy 12TW8-70E	Buy Honeywell Sensing and Productivity Solutions 12TW8-70E
Honeywell Sensing and Productivity Solutions 12TW8-70E	Honeywell Sensing and Productivity Solutions Supplier	Honeywell Sensing and Productivity Solutions Distributor
Honeywell Sensing and Productivity Solutions 12TW8-70E	HONEYWELL 12TW8-70E	Honeywell Sensing and Control EMEA 12TW8-70E
Honeywell Sensing and Productivity Solutions T&M 12TW8-70E		

#### Related Products

 <b>12TW8-8F</b> Manufacturers: Honeywell Sensing and Productivity Solutions Description: SWITCH TOGGLE DPDT 5A 125V In stock: 769 pcs <a href="#">RFQ</a>	 <b>12TW8-8</b> Manufacturers: Honeywell Sensing and Productivity Solutions Description: SWITCH TOGGLE DPDT 5A 125V In stock: 1539 pcs <a href="#">RFQ</a>
 <b>12TW8-1L</b> Manufacturers: Honeywell Sensing and Productivity Solutions Description: SWITCH TOGGLE DPDT 5A 125V In stock: 4921 pcs <a href="#">RFQ</a>	 <b>12TW804-72</b> Manufacturers: Honeywell Sensing and Productivity Solutions Description: SWITCH TOGGLE DPDT 5A 125V In stock: 1268 pcs <a href="#">RFQ</a>
 <b>12TW8-1A</b> Manufacturers: Honeywell Sensing and Productivity Solutions Description: SWITCH TOGGLE DPDT 5A 125V In stock: 835 pcs <a href="#">RFQ</a>	 <b>12TW8-7</b> Manufacturers: Honeywell Sensing and Productivity Solutions Description: SWITCH TOGGLE DPDT 5A 125V In stock: 1589 pcs <a href="#">RFQ</a>
 <b>12TW8-3F</b> Manufacturers: Honeywell Sensing and Productivity Solutions Description: SWITCH TOGGLE DPDT 5A 125V In stock: 881 pcs <a href="#">RFQ</a>	 <b>12TW8-3</b> Manufacturers: Honeywell Sensing and Productivity Solutions Description: SWITCH TOGGLE DPDT 5A 125V In stock: 2016 pcs <a href="#">RFQ</a>
 <b>12TW804-3</b> Manufacturers: Honeywell Sensing and Productivity Solutions Description: SWITCH TOGGLE DPDT 5A 125V In stock: 1399 pcs <a href="#">RFQ</a>	 <b>12TW8-7E</b> Manufacturers: Honeywell Sensing and Productivity Solutions Description: SWITCH TOGGLE DPDT 5A 125V In stock: 991 pcs <a href="#">RFQ</a>
 <b>12TW804-7</b> Manufacturers: Honeywell Sensing and Productivity Solutions Description: SWITCH TOGGLE DPDT 5A 125V In stock: 1631 pcs <a href="#">RFQ</a>	 <b>12TW8-3D</b> Manufacturers: Honeywell Sensing and Productivity Solutions Description: SWITCH TOGGLE DPDT 5A 125V In stock: 1024 pcs <a href="#">RFQ</a>