



NKK Switches

KP0215ASAKG03RGB

Part Number:	KP0215ASAKG03RGB
Manufacturer/Brand:	NKK Switches
Product description:	SWITCH PUSH SPST-NO 0.1A 12V
Datasheets:	1.KP0215ASAKG03RGB.pdf 2.KP0215ASAKG03RGB.pdf
RoHS Status:	Lead free / RoHS Compliant
Stock Condition:	5260 pcs stock
Ship From:	Hong Kong
Shipment Way:	DHL/Fedex/TNT/UPS/EMS

[REQUEST FOR QUOTATION](#)

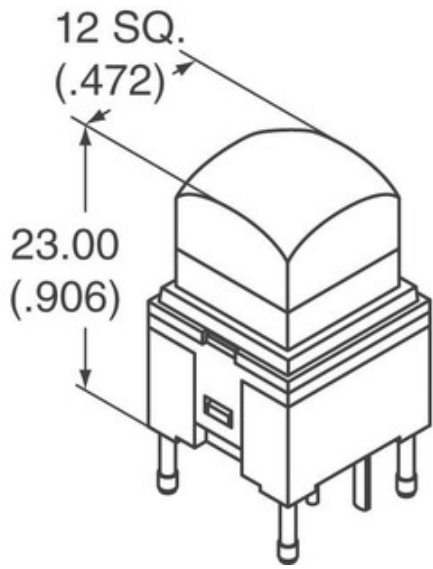


Image may be representation. See specifications for product details.

Specifications of KP0215ASAKG03RGB

PART NUMBER	KP0215ASAKG03RGB
MANUFACTURER	NKK Switches
DESCRIPTION	SWITCH PUSH SPST-NO 0.1A 12V
LEAD FREE STATUS / ROHS STATUS	Lead free / RoHS Compliant
QUANTITY AVAILABLE	5260 pcs
DATA SHEET	1.KP0215ASAKG03RGB.pdf 2.KP0215ASAKG03RGB.pdf
VOLTAGE RATING - DC	12V
TYPE	Standard, Illuminated
TERMINATION STYLE	PC Pin
SWITCH FUNCTION	Off-Mom
SERIES	KP
PANEL CUTOUT DIMENSIONS	-
PACKAGING	Bulk
OPERATING TEMPERATURE	-25°C ~ 50°C
MOUNTING TYPE	Through Hole
MOISTURE SENSITIVITY LEVEL (MSL)	1 (Unlimited)
MECHANICAL LIFE	5,000,000 Cycles
LEAD FREE STATUS / ROHS STATUS	Lead free / RoHS Compliant
INGRESS PROTECTION	-
ILLUMINATION VOLTAGE (NOMINAL)	2.0, 2.9, 2.9 VDC
ILLUMINATION TYPE, COLOR	LED, Red/Green/Blue
FEATURES	Tactile/Audible Feedback
ELECTRICAL LIFE	5,000,000 Cycles
DETAILED DESCRIPTION	Pushbutton Switch SPST-NO Standard, Illuminated Through Hole
CURRENT RATING	100mA (DC)
COLOR - ACTUATOR/CAP	-
CIRCUIT	SPST-NO
ACTUATOR TYPE	Plunger for Cap

Related Tags

NKK Switches KP0215ASAKG03RGB	KP0215ASAKG03RGB Distributor	KP0215ASAKG03RGB Supplier
KP0215ASAKG03RGB Price	KP0215ASAKG03RGB Pictures	KP0215ASAKG03RGB Image
KP0215ASAKG03RGB PDF Datasheet	KP0215ASAKG03RGB Download Datasheet	KP0215ASAKG03RGB Datasheet
KP0215ASAKG03RGB Stock	Buy KP0215ASAKG03RGB	Buy NKK Switches KP0215ASAKG03RGB
NKK Switches KP0215ASAKG03RGB	NKK Switches Supplier	NKK Switches Distributor
NKK Switches KP0215ASAKG03RGB		

Related Products

<p>KP0215ANBKG03RGB-3TJB Manufacturers: NKK Switches Description: SWITCH PUSH SPST-NO 0.1A 12V In stock: 4657 pcs</p> <p>RFQ</p>	<p>KP0215ASBKG036CF-2FJB Manufacturers: NKK Switches Description: SWITCH PUSH SPST-NO 0.1A 12V In stock: 6945 pcs</p> <p>RFQ</p>
<p>KP0215ASAKG03RGB-1SJB Manufacturers: NKK Switches Description: SWITCH PUSH SPST-NO 0.1A 12V In stock: 5073 pcs</p> <p>RFQ</p>	<p>KP0215ASBKG036CF Manufacturers: NKK Switches Description: SWITCH PUSH SPST-NO 0.1A 12V In stock: 2814 pcs</p> <p>RFQ</p>
<p>KP0215ASAKG036CF-1FJB Manufacturers: NKK Switches Description: SWITCH PUSH SPST-NO 0.1A 12V In stock: 8384 pcs</p> <p>RFQ</p>	<p>KP0215ASAKG03CF Manufacturers: NKK Switches Description: SWITCH PUSH SPST-NO 0.1A 12V In stock: 15375 pcs</p> <p>RFQ</p>
<p>KP0215ASAKG036CF-1TJB Manufacturers: NKK Switches Description: SWITCH PUSH SPST-NO 0.1A 12V In stock: 6674 pcs</p> <p>RFQ</p>	<p>KP0215ASAKG03RGB-1TJB Manufacturers: NKK Switches Description: SWITCH PUSH SPST-NO 0.1A 12V In stock: 4301 pcs</p> <p>RFQ</p>
<p>KP0215ASAKG03RGB-1FJB Manufacturers: NKK Switches Description: SWITCH PUSH SPST-NO 0.1A 12V In stock: 5302 pcs</p> <p>RFQ</p>	<p>KP0215ASBKG036CF-2SJB Manufacturers: NKK Switches Description: SWITCH PUSH SPST-NO 0.1A 12V In stock: 9432 pcs</p> <p>RFQ</p>
<p>KP0215ASAKG036CF Manufacturers: NKK Switches Description: SWITCH PUSH SPST-NO 0.1A 12V In stock: 3051 pcs</p> <p>RFQ</p>	<p>KP0215ASAKG036CF-1SJB Manufacturers: NKK Switches Description: SWITCH PUSH SPST-NO 0.1A 12V In stock: 9572 pcs</p> <p>RFQ</p>

