

Honeywell

Honeywell Sensing and Productivity Solutions

## MLH100PGB06E

Part Number:	MLH100PGB06E
Manufacturer/Brand:	Honeywell Sensing and Productivity Solutions
Product description:	MLH ALL METAL PRESS SENSE -ATF
Datasheets:	<a href="#">1.MLH100PGB06E.pdf</a> <a href="#">2.MLH100PGB06E.pdf</a>
RoHs Status:	Lead free / RoHS Compliant
Stock Condition:	1020 pcs stock
Ship From:	Hong Kong
Shipment Way:	DHL/Fedex/TNT/UPS/EMS

[REQUEST FOR QUOTATION](#)

## Productivity Solutions

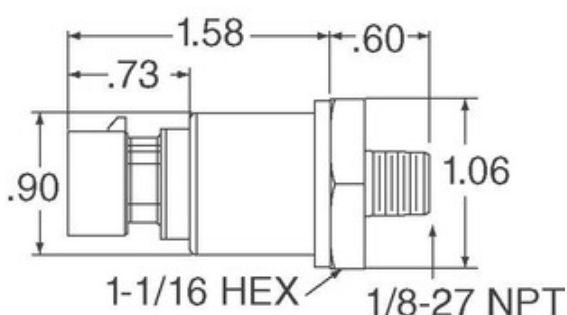


Image may be representation. See specifications for product details.

## Specifications of MLH100PGB06E

PART NUMBER	MLH100PGB06E
MANUFACTURER	Honeywell Sensing and Productivity Solutions
DESCRIPTION	MLH ALL METAL PRESS SENSE -ATF
LEAD FREE STATUS / ROHS STATUS	Lead free / RoHS Compliant
QUANTITY AVAILABLE	1020 pcs
DATA SHEET	<a href="#">1.MLH100PGB06E.pdf</a> <a href="#">2.MLH100PGB06E.pdf</a>
VOLTAGE - SUPPLY	7 V ~ 30 V
SUPPLIER DEVICE PACKAGE	-
SERIES	MLH
PRESSURE TYPE	Vented Gauge
PORT STYLE	Threaded
PORT SIZE	Male - 1/8" (3.18mm) NPT
PACKAGE / CASE	Cylinder, Metal
OUTPUT TYPE	Analog Voltage
OUTPUT	0.5 V ~ 4.5 V
OPERATING TEMPERATURE	-40°C ~ 125°C
OPERATING PRESSURE	100 PSI (689.48 kPa)
MOISTURE SENSITIVITY LEVEL (MSL)	1 (Unlimited)
MAXIMUM PRESSURE	300 PSI (2068.43 kPa)
LEAD FREE STATUS / ROHS STATUS	Lead free / RoHS Compliant
FEATURES	Amplified Output, Temperature Compensated
DETAILED DESCRIPTION	Pressure Sensor 100 PSI (689.48 kPa) Vented Gauge Male - 1/8" (3.18mm) NPT 0.5 V ~ 4.5 V Cylinder, Metal
ACCURACY	±0.25%

## Related Tags

Honeywell Sensing and Productivity Solutions MLH100PGB06E	MLH100PGB06E Distributor	MLH100PGB06E Supplier
MLH100PGB06E Price	MLH100PGB06E Pictures	MLH100PGB06E Image
MLH100PGB06E PDF Datasheet	MLH100PGB06E Download Datasheet	MLH100PGB06E Datasheet
MLH100PGB06E Stock	Buy MLH100PGB06E	Buy Honeywell Sensing and Productivity Solutions MLH100PGB06E
Honeywell Sensing and Productivity Solutions MLH100PGB06E	Honeywell Sensing and Productivity Solutions Supplier	Honeywell Sensing and Productivity Solutions Distributor
Honeywell Sensing and Productivity Solutions MLH100PGB06E	HONEYWELL MLH100PGB06E	Honeywell Sensing and Control EMEA MLH100PGB06E
Honeywell Sensing and Productivity Solutions T&M MLH100PGB06E		

## Related Products

<p><b>MLH100PGB10A</b> Manufacturers: Honeywell Sensing and Productivity Solutions Description: SENSOR AMP 100PSI .5-4.5VDC OUT In stock: 1096 pcs</p> <p><a href="#">RFQ</a></p>	<p><b>MLH100PGB01B</b> Manufacturers: Honeywell Sensing and Productivity Solutions Description: SENSOR AMP 100PSI 4-20MA OUT In stock: 958 pcs</p> <p><a href="#">RFQ</a></p>
<p><b>MLH100PGB06A</b> Manufacturers: Honeywell Sensing and Productivity Solutions Description: SENSOR AMP 100PSI .5-4.5VDC OUT In stock: 747 pcs</p> <p><a href="#">RFQ</a></p>	<p><b>MLH100PGB06C</b> Manufacturers: Honeywell Sensing and Productivity Solutions Description: MLH ALL METAL PRESS SENSE -ATF In stock: 894 pcs</p> <p><a href="#">RFQ</a></p>
<p><b>MLH100PGB06B</b> Manufacturers: Honeywell Sensing and Productivity Solutions Description: SENSOR AMP 100PSI 4-20MA OUT In stock: 4489 pcs</p> <p><a href="#">RFQ</a></p>	<p><b>MLH100PGD14B</b> Manufacturers: Honeywell Sensing and Productivity Solutions Description: MLH ALL METAL PRESS SENSE -ATF In stock: 1205 pcs</p> <p><a href="#">RFQ</a></p>
<p><b>MLH100PGL01B</b> Manufacturers: Honeywell Sensing and Productivity Solutions Description: SENSOR AMP 100PSI 4-20MA OUT In stock: 827 pcs</p> <p><a href="#">RFQ</a></p>	<p><b>MLH100PGL01G</b> Manufacturers: Honeywell Sensing and Productivity Solutions Description: SENSOR AMP 100PSI 1-5VDC OUT In stock: 690 pcs</p> <p><a href="#">RFQ</a></p>
<p><b>MLH100PAG06A</b> Manufacturers: Honeywell Sensing and Productivity Solutions Description: SENSOR AMP 100PSI .5-4.5VDC OUT In stock: 5556 pcs</p> <p><a href="#">RFQ</a></p>	<p><b>MLH100PGL01A</b> Manufacturers: Honeywell Sensing and Productivity Solutions Description: SENSOR AMP 100PSI .5-4.5VDC OUT In stock: 801 pcs</p> <p><a href="#">RFQ</a></p>
<p><b>MLH100PGD01C</b> Manufacturers: Honeywell Sensing and Productivity Solutions Description: MLH ALL METAL PRESS SENSE -ATF In stock: 3130 pcs</p> <p><a href="#">RFQ</a></p>	<p><b>MLH100PGB01A</b> Manufacturers: Honeywell Sensing and Productivity Solutions Description: SENSOR AMP 100PSI .5-4.5VDC OUT In stock: 961 pcs</p> <p><a href="#">RFQ</a></p>