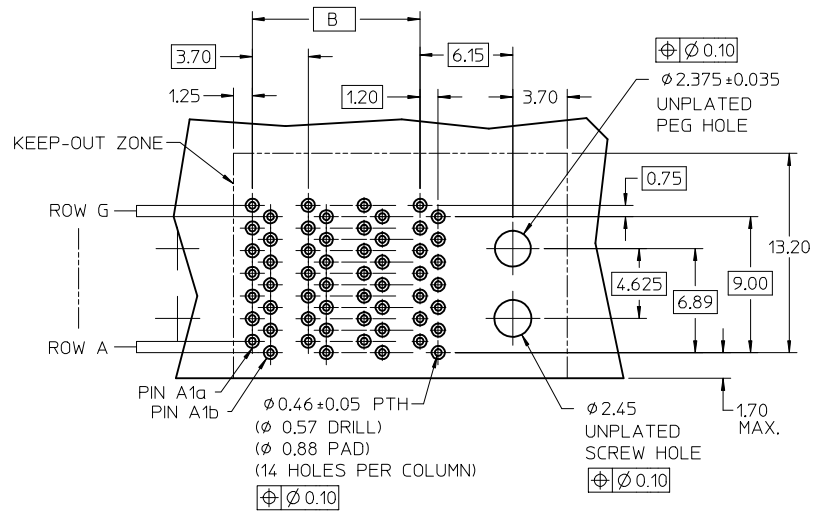


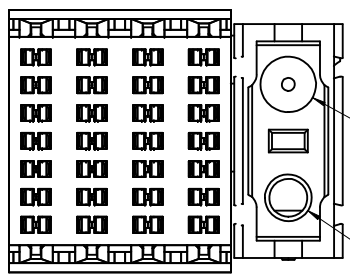
PART NUMBER	# OF COLUMNS	DIM "A" MAX	DIM "B"
76011 - *4**	4	22.06	11.10
76011 - *6**	6	29.60	18.50
76011 - *1**	10	44.40	33.30



RAM HOLE PATTERN
(CONNECTOR SIDE)

- NOTES:
- MATERIALS: HOUSING - LIQUID CRYSTAL POLYMER (LCP), BLACK, UL 94V-0
TERMINALS - HIGH PERFORMANCE COPPER ALLOY
 - FINISH: SELECTIVE GOLD (Au) IN CONTACT AREA,
SELECTIVE MATTE TIN (Sn) IN TAIL AREA,
NICKEL (Ni) UNDERPLATE OVERALL.
 - MOLEX PRODUCT SPECIFICATION: PS-75710-999.
 - OPTIONAL GUIDE PIN SHOWN IN COPLANAR LOCATION.
 - THIS PART CONFORMS TO CLASS B REQUIREMENTS OF
COSMETIC SPEC PS-45499-002.
 - PACKAGED PER PK-70873-588.
 - MAPS (MOLEX ADVANCED PLATING SYSTEM).

STANDARD PIN OPTION
(76011-***3)
(76011-***7)



LOCATION OF GUIDE PIN
FOR STANDARD COPLANAR

LOCATION OF GUIDE PIN
FOR INVERTED APPLICATION

ADD 50 GOLD EC NO: UCP2014-3112 DRWN:WOLFE 2014/01/29 CHKD:SYANG 2014/01/29 APPR:SMILLER 2014/02/11 REV	QUALITY SYMBOLS 	GENERAL TOLERANCES (UNLESS SPECIFIED) <table border="1"> <thead> <tr> <th></th> <th>mm</th> <th>INCH</th> </tr> </thead> <tbody> <tr> <td>4 PLACES</td> <td>± 0.15</td> <td>± 0.006</td> </tr> <tr> <td>3 PLACES</td> <td>± 0.25</td> <td>± 0.010</td> </tr> <tr> <td>2 PLACES</td> <td>± 0.38</td> <td>± 0.015</td> </tr> <tr> <td>1 PLACE</td> <td>± 0.51</td> <td>± 0.020</td> </tr> <tr> <td>0 PLACE</td> <td>± 0.64</td> <td>± 0.025</td> </tr> </tbody> </table>		mm	INCH	4 PLACES	± 0.15	± 0.006	3 PLACES	± 0.25	± 0.010	2 PLACES	± 0.38	± 0.015	1 PLACE	± 0.51	± 0.020	0 PLACE	± 0.64	± 0.025	DIMENSION STYLE MM ONLY	SCALE 4:1	DESIGN UNITS METRIC	THIRD ANGLE PROJECTION
				mm	INCH																			
4 PLACES	± 0.15	± 0.006																						
3 PLACES	± 0.25	± 0.010																						
2 PLACES	± 0.38	± 0.015																						
1 PLACE	± 0.51	± 0.020																						
0 PLACE	± 0.64	± 0.025																						
DRAFT WHERE APPLICABLE MUST REMAIN WITHIN DIMENSIONS	MATERIAL NO. SEE CHART	DOCUMENT NO. SD-76011-003	SHEET NO. 1 OF 3																					

I-TRAC 7-ROW
RIGHT ANGLE MALE
GUIDE RIGHT ASSEMBLY



7 6 0 1 1 - * * * *

MODULE TYPE - TAIL PLATING TYPE

- GUIDE RIGHT - MATTE TIN (FORMERLY TIN/LEAD) = 4
- GUIDE RIGHT - MATTE TIN = 5
- GUIDE RIGHT, END WALL - MATTE TIN (FORMERLY TIN/LEAD) = 8
- GUIDE RIGHT, END WALL - MATTE TIN = 9

OF COLUMNS

- 4 = 4 COL
- 6 = 6 COL
- 1 = 10 COL

ORIENTATION
GUIDE POST

- 2 = COPLANAR
- 3 = INVERTED

PIN LENGTH/PLATING

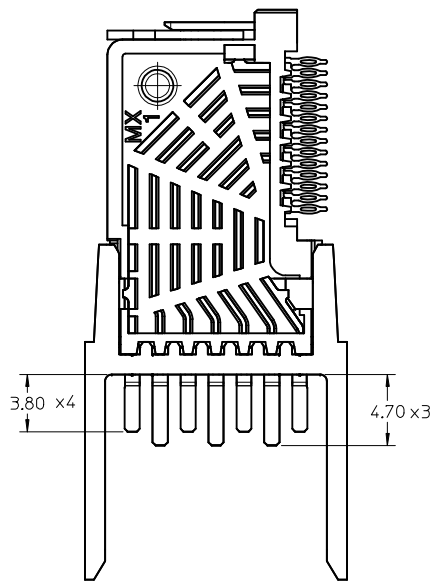
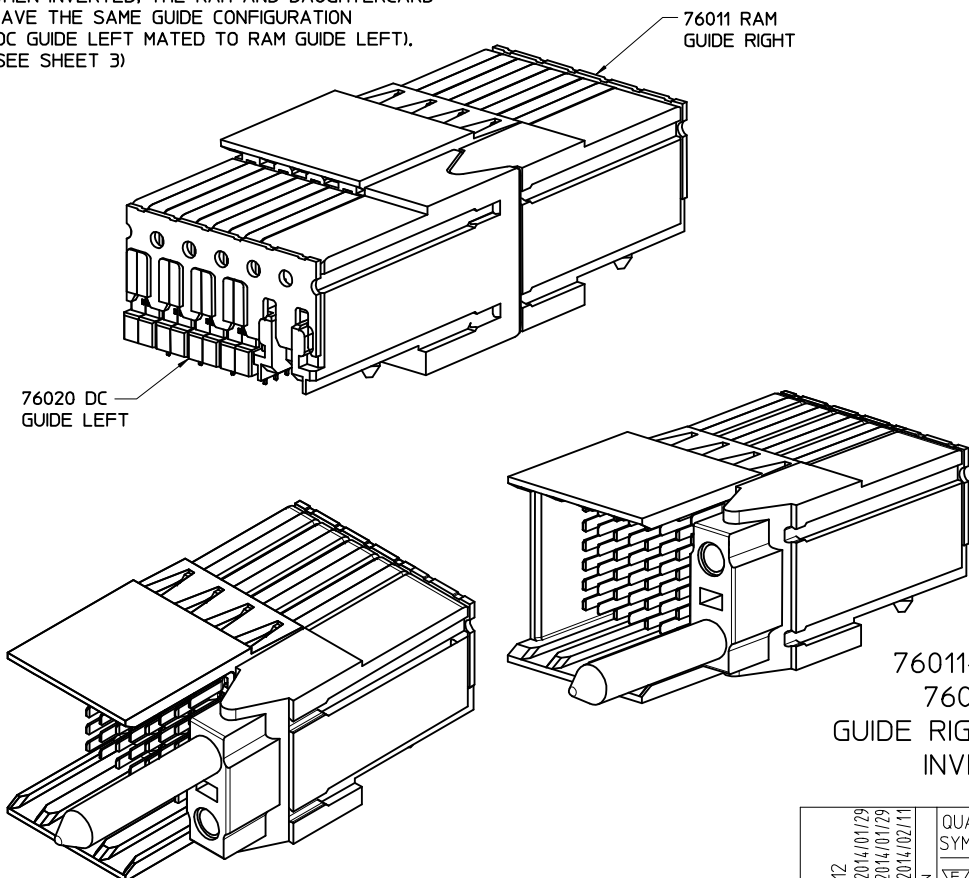
- 3 = 4.70 30 GOLD
- 5 = 4 X 3.80, 3 X 4.70 STAGGERED 30 GOLD
- 6 = 2 X 3.80, 5 X 4.70 STAGGERED 30 GOLD

- 7 = 4.70 10 GOLD (MAPS)
- 8 = 4 X 3.80, 3 X 4.70 STAGGERED 10 GOLD (MAPS)
- 9 = 2 X 3.80, 5 X 4.70 STAGGERED 10 GOLD (MAPS)

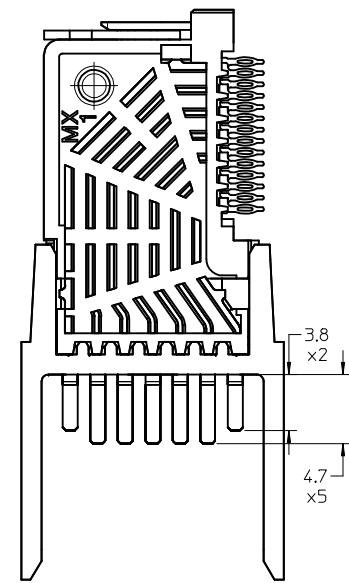
- 1 = 4.70 50 GOLD
- 2 = 4 X 3.80, 3 X 4.70 STAGGERED 50 GOLD
- 4 = 2 X 3.80, 5 X 4.70 STAGGERED 50 GOLD

NOTE:

WHEN MATING RIGHT ANGLE MALE (RAM)
TO A DAUGHTERCARD IN A COPLANAR APPLICATION,
THE GUIDE CONFIGURATION IS OPPOSING
(DC GUIDE LEFT MATED TO RAM GUIDE RIGHT).
WHEN INVERTED, THE RAM AND DAUGHTERCARD
HAVE THE SAME GUIDE CONFIGURATION
(DC GUIDE LEFT MATED TO RAM GUIDE LEFT).
(SEE SHEET 3)



STAGGERED PIN OPTION
(76011-***5)
(76011-***8)



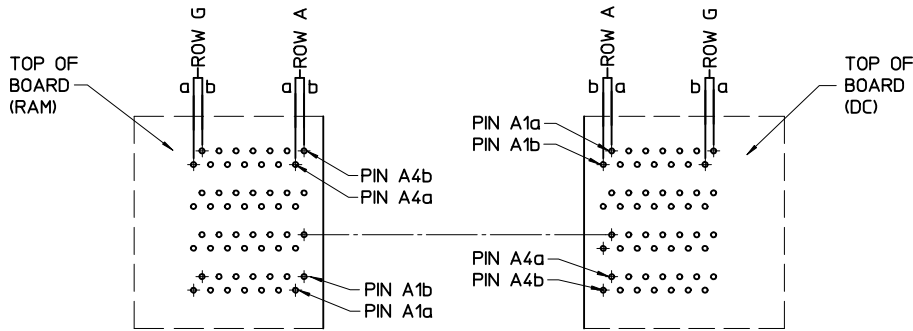
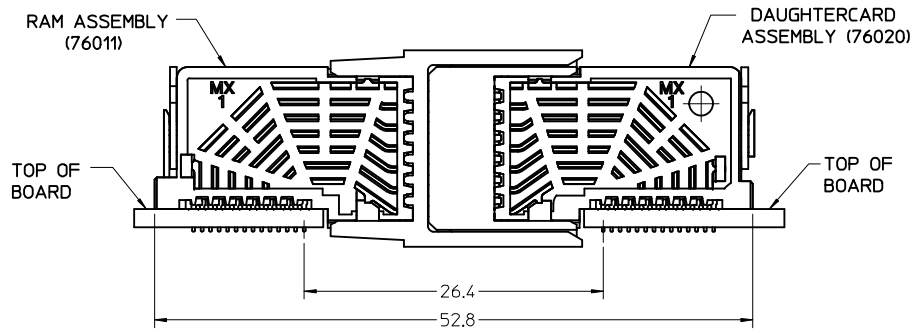
STAGGERED PIN OPTION
(76011-***6)
(76011-***9)

76011-4*2* or
76011-5*2*
GUIDE RIGHT, COPLANAR

76011-8*3* or
76011-9*3*
GUIDE RIGHT, END WALL,
INVERTED

SEE SHEET 1 EC NO: UCP2014-3112 DRW: MWOLFE 2014/01/29 CHKD: SYANG 2014/01/29 APPR: SMILLER 2014/02/11	QUALITY SYMBOLS	GENERAL TOLERANCES (UNLESS SPECIFIED)	DIMENSION STYLE	SCALE	DESIGN UNITS	THIRD ANGLE PROJECTION
	▽=0	mm INCH	MM ONLY	3:1	METRIC	
	▽=0	4 PLACES ± --- ± ---	DRAWN BY DATE			
	▽=0	3 PLACES ± --- ± ---	ELO 2006/05/03			
	2 PLACES ± 0.13 ± ---	CHECKED BY DATE				I-TRAC 7-ROW RIGHT ANGLE MALE GUIDE RIGHT ASSEMBLY molex
	1 PLACE ± 0.25 ± ---	JLAURX 2006/05/04				
	0 PLACE ± ±	APPROVED BY DATE				DOCUMENT NO. SD-76011-003
	ANGULAR ± --- °	CBIXLER 2006/05/05				
	DRAFT WHERE APPLICABLE MUST REMAIN WITHIN DIMENSIONS	SEE CHART				SHEET NO. 2 OF 3
						THIS DRAWING CONTAINS INFORMATION THAT IS PROPRIETARY TO MOLEX INCORPORATED AND SHOULD NOT BE USED WITHOUT WRITTEN PERMISSION

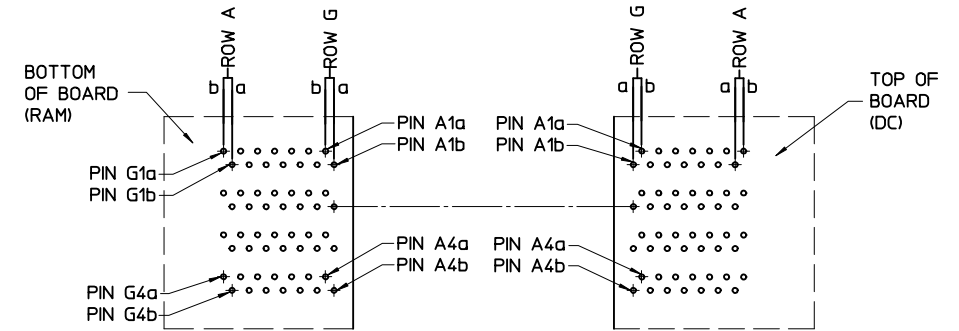
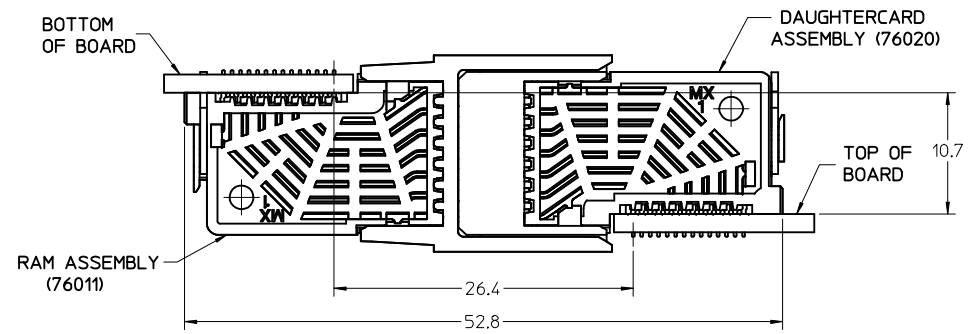
COPLANAR APPLICATION



COPLANAR MATED SIGNAL PATHS

RAM PIN A4b.....	DC PIN A1a
RAM PIN A4a.....	DC PIN A1b
RAM PIN A1b.....	DC PIN A4a
RAM PIN A1a.....	DC PIN A4b

INVERTED APPLICATION



INVERTED MATED SIGNAL PATHS

RAM PIN G1a.....	DC PIN A1a
RAM PIN G1b.....	DC PIN A1b
RAM PIN G4a.....	DC PIN A4a
RAM PIN G4b.....	DC PIN A4b

SEE SHEET 1 EC NO: UCP2014-3112 DRWN: MWOLFE 2014/01/29 CHKD: SYANG 2014/01/29 APPR: SMILLER 2014/02/11	QUALITY SYMBOLS 	GENERAL TOLERANCES (UNLESS SPECIFIED) <table border="1"> <thead> <tr> <th></th> <th>mm</th> <th>INCH</th> </tr> </thead> <tbody> <tr> <td>4 PLACES</td> <td>± ---</td> <td>± ---</td> </tr> <tr> <td>3 PLACES</td> <td>± ---</td> <td>± ---</td> </tr> <tr> <td>2 PLACES</td> <td>± 0.13</td> <td>± ---</td> </tr> <tr> <td>1 PLACE</td> <td>± 0.25</td> <td>± ---</td> </tr> <tr> <td>0 PLACE</td> <td>±</td> <td>±</td> </tr> </tbody> </table>		mm	INCH	4 PLACES	± ---	± ---	3 PLACES	± ---	± ---	2 PLACES	± 0.13	± ---	1 PLACE	± 0.25	± ---	0 PLACE	±	±	DIMENSION STYLE MM ONLY DRAWN BY DATE ELO 2006/05/03 CHECKED BY DATE JLAURX 2006/05/04 APPROVED BY DATE CBIXLER 2006/05/05	SCALE 2:1 DESIGN UNITS METRIC THIRD ANGLE PROJECTION	I-TRAC 7-ROW RIGHT ANGLE MALE GUIDE RIGHT ASSEMBLY molex DOCUMENT NO. SD-76011-003	SHEET NO. 3 OF 3
		mm	INCH																					
	4 PLACES	± ---	± ---																					
	3 PLACES	± ---	± ---																					
2 PLACES	± 0.13	± ---																						
1 PLACE	± 0.25	± ---																						
0 PLACE	±	±																						
DRAFT WHERE APPLICABLE MUST REMAIN WITHIN DIMENSIONS		MATERIAL NO. SEE CHART	THIS DRAWING CONTAINS INFORMATION THAT IS PROPRIETARY TO MOLEX. INCORPORATED AND SHOULD NOT BE USED WITHOUT WRITTEN PERMISSION																					