



Technical specification:

Rated voltage: 60 V
IEC 61076-2-101

Current rating: 4 A at 40°C
IEC 61076-2-101

Insulation resistance: >=100 MΩ
IEC 60512

Pollution degree: 3/2
IEC 60664-1

Degree of protection: IP 67, in mated condition
IEC 60529

Temperature range: -30°C ... +80°C

Mating cycles: >=100
IEC 60512-9a

Materials:

Contact: CuZn

Contact plating: Nickel, gold plated

Contact carrier: PA, UL 94

Sealing: FPM

Coupling nut/screw: GD-Zn, nickel plated

Moulding body: TPU, UL 94, grey

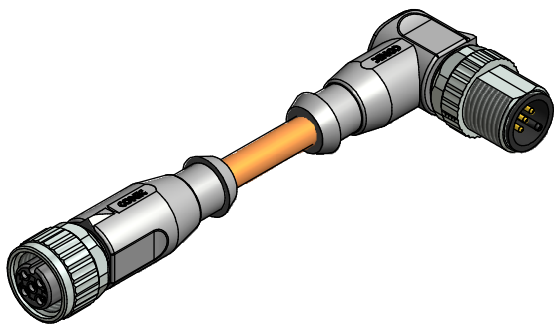
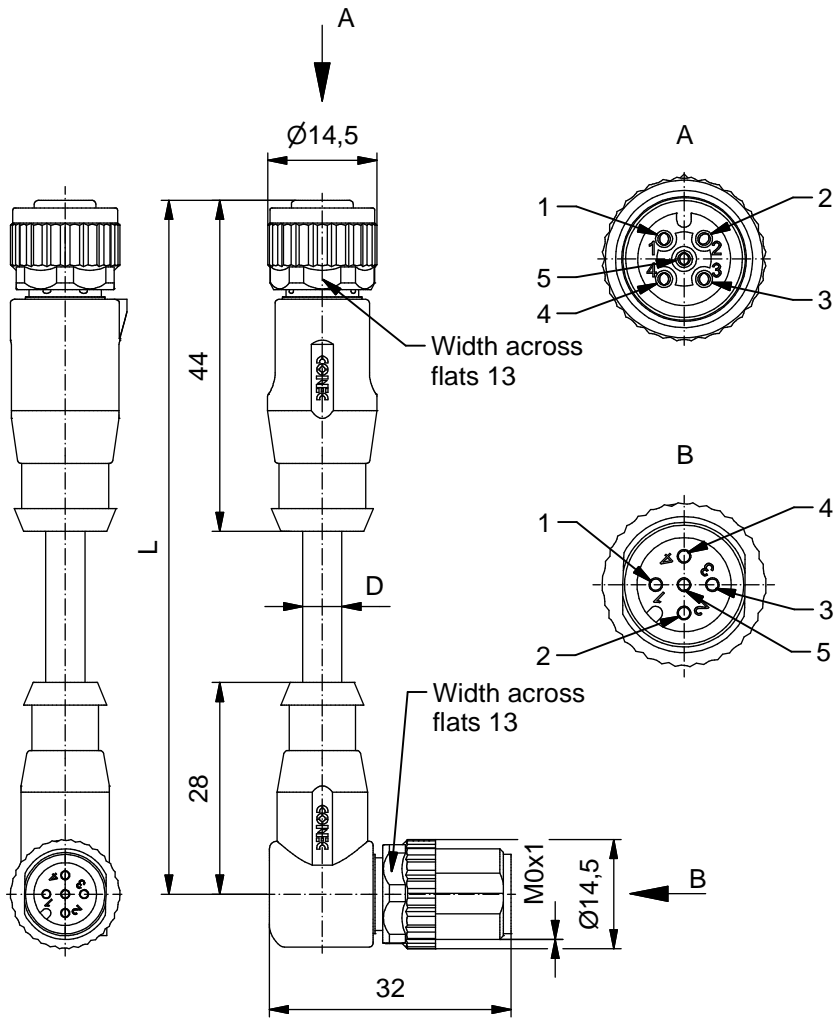
Installation specification:

Recommended torque: 0,6 Nm

Conec installation tool: Torque wrench: 36-000200
Insert across flats 13: 36-000220

Contact assignment:

- 1) brown
- 2) white
- 3) blue
- 4) black
- 5) green-yellow



Part no:	Description:	Length L:	Cable:
43-14625	SAL - 12 - RK5 - RSW5 - 0,3 / J1 / A1090	0,3m	TPU, UL 20549, orange, 5x0,34mm ² Cable: 781-J13500
43-14626	SAL - 12 - RK5 - RSW5 - 0,6 / J1 / A1090	0,6m	
43-14627	SAL - 12 - RK5 - RSW5 - 1,5 / J1 / A1090	1,5m	
43-14628	SAL - 12 - RK5 - RSW5 - 3,0 / J1 / A1090	3m	
43-xxxxx	SAL - 12 - RK5 - RSW5 - ... / J1 / A1090	x	

D see data sheet cable

DO NOT ALTER CAD DRAWING BY HAND Directive 2011/65/EU RoHS compliant	Index a: 11.09.14 rbo Ä5343 Data sheet modified. contact carrier was PBT.	dim. in mm	title: Connecting cable M12x1, female connector axial - male connector angled dwg no: 43K1A1282 part no: see table		
				date	name
	tolerance of cable: L <= 4m: L + 40mm L > 4m: L + 1%	drawn		17.01.11	Franz
	general tolerance: 0 ± 0,50mm 0,0 ± 0,25mm 0,00 ± 0,10mm	appd.		17.01.11	Mankopf
	THIS DRAWING MAY NOT BE COPIED OR REPRODUCED IN ANY WAY, AND MAY NOT BE PASSED ON TO A THIRD PARTY WITHOUT WRITTEN PERMISSION. OWNERSHIP AND COPYRIGHT OF CONEC GmbH	CONEC ®			

