

DESCRIPTION

Demonstration circuit 758 is used to evaluate the LTC[®]5535ES6, RF power detector with integrated output buffer and voltage reference. The LTC5535ES6 has provisions for enable and gain adjustments. The LTC5535ES6 converts an RF input signal at pin 1 (RFin) to a DC voltage at pin 5 (Vout). The RF input frequency range is 300 MHz to 7000 MHz. Maximum input power is 10 dBm. The output voltage at Vout will start at an initial DC value of typically 200 mV +/- 20 mV. When the RF signal is applied, the output voltage will increase.

The optional R1 termination resistor and R3 output shunt resistor are not placed on the PCB. R2 and R4 are 500 ohm resistors. This corresponds to the gain setting = 2. Voss pin E3 should be connected to ground for initial tests and measurements.

Design files for this circuit board are available. Call the LTC factory.

LTC is a trademark of Linear Technology Corporation

QUICK START PROCEDURE

Demonstration circuit 758 is easily set up for evaluating the LTC5535ES6 RF power detector performance. Follow the procedures outlined below and connections on the attached diagram for proper operation.

1. Connect the DC power supply (2.7V to 6V) to E1. Connect the power supply ground to E4 or E5. Connect J1 to the RF signal generator via coaxial cable with an SMA connector. It is common prac-

tice to include a 2dB or 3dB pad to minimize reflections back into the signal generator.

2. Apply an RF input signal and measure the Vout DC voltage at E2.
3. Connect E3 (Vos pin) to ground.

Optional measurements can be done by changing the R2 resistor from 500 ohm to a higher value to increase the gain of the part, if desired.

QUICK START GUIDE FOR DEMONSTRATION CIRCUIT 758

7 GHz RF DETECTOR WITH WIDE OUTPUT BW

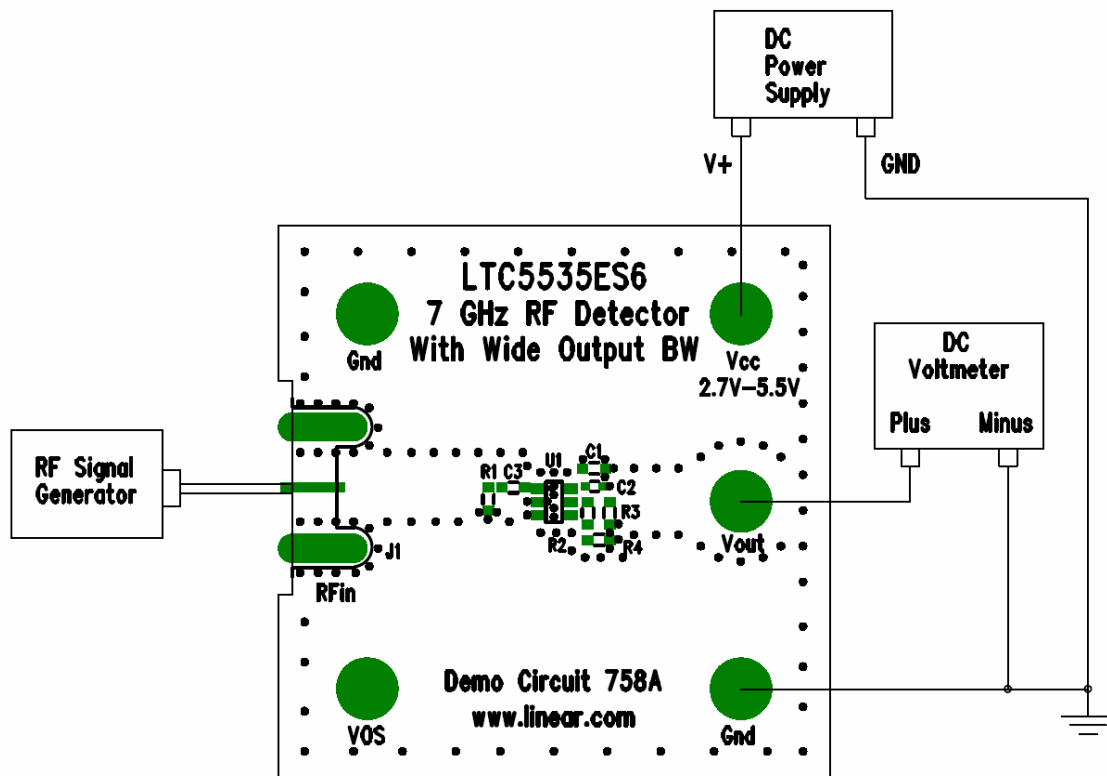
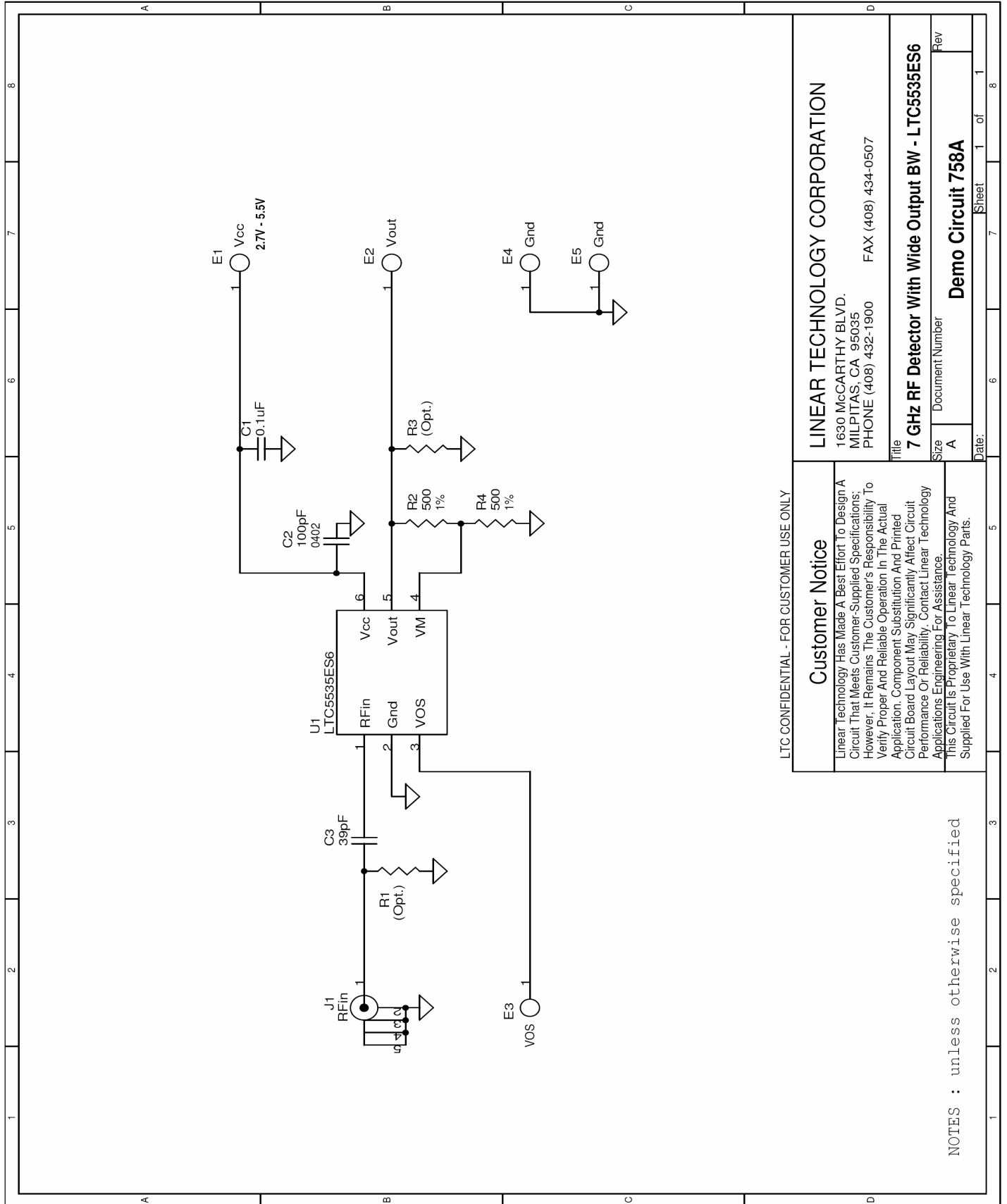


Figure 1. Proper Measurement Equipment Setup

QUICK START GUIDE FOR DEMONSTRATION CIRCUIT 758

7 GHz RF DETECTOR WITH WIDE OUTPUT BW



LTC CONFIDENTIAL - FOR CUSTOMER USE ONLY

Customer Notice

Linear Technology Has Made A Best Effort To Design A Circuit That Meets Customer-Supplied Specifications; However, It Remains The Customer's Responsibility To Verify Proper And Reliable Operation In The Actual Application. Component Substitution And Printed Circuit Board Layout May Significantly Affect Circuit Performance Or Reliability. Contact Linear Technology Applications Engineering For Assistance. This Circuit Is Proprietary To Linear Technology And Supplied For Use With Linear Technology Parts.

LINEAR TECHNOLOGY CORPORATION

1630 McCARTHY BLVD.
MILPITAS, CA 95035
PHONE (408) 432-1900 FAX (408) 434-0507

Title: **7 GHz RF Detector With Wide Output BW - LTC5535ES6**

| | |
|-----------------|--------------------------|
| Size | A |
| Document Number | Demo Circuit 758A |
| Rev | 1 |

NOTES : unless otherwise specified